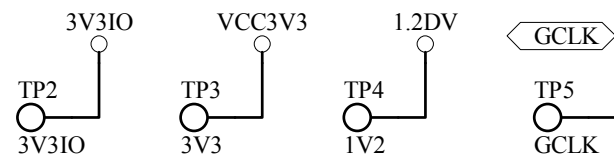
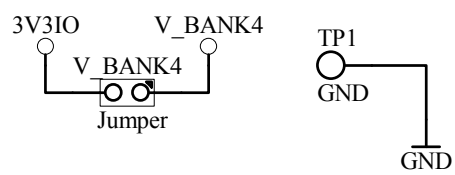
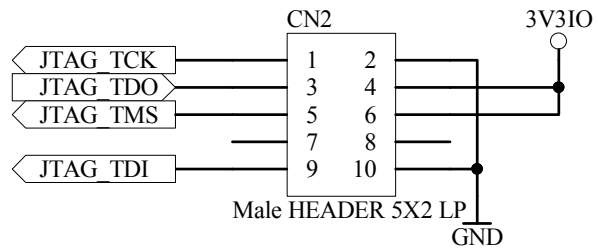
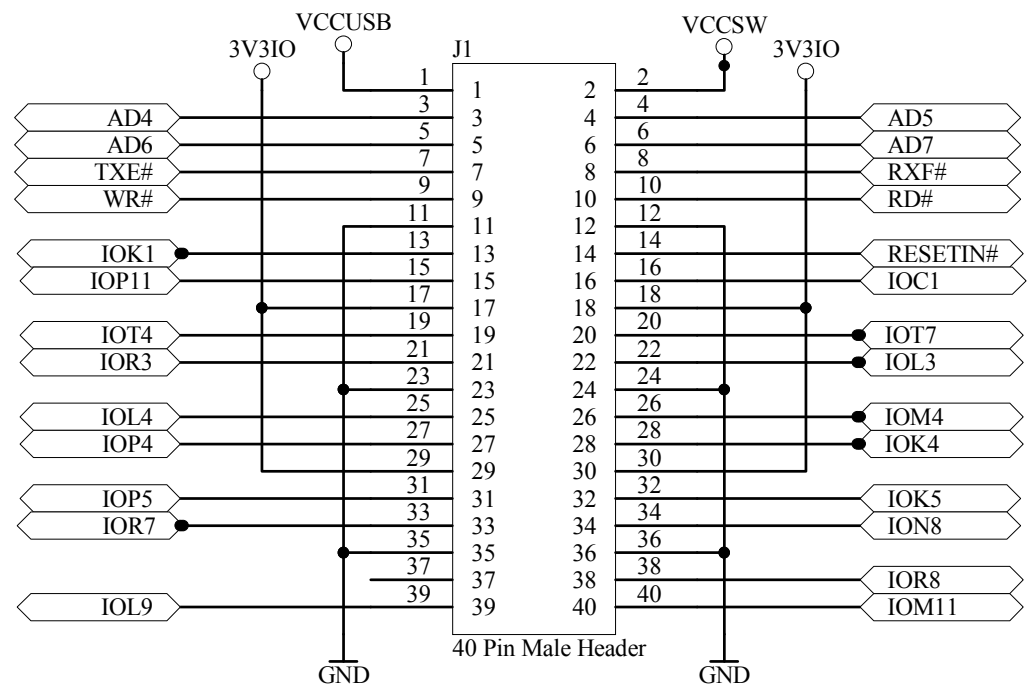


Jumper Box		
VBUS	CLOSED	Bus-Powered
VBUS	OPEN	Self-Powered

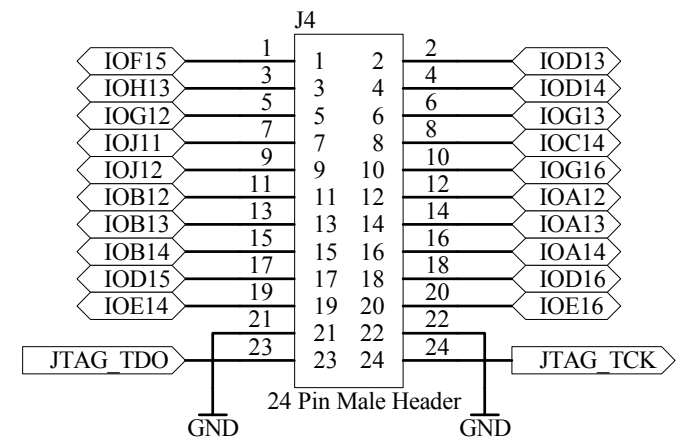
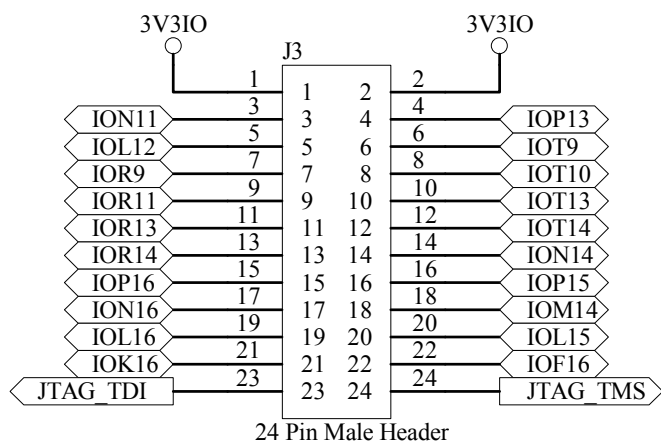
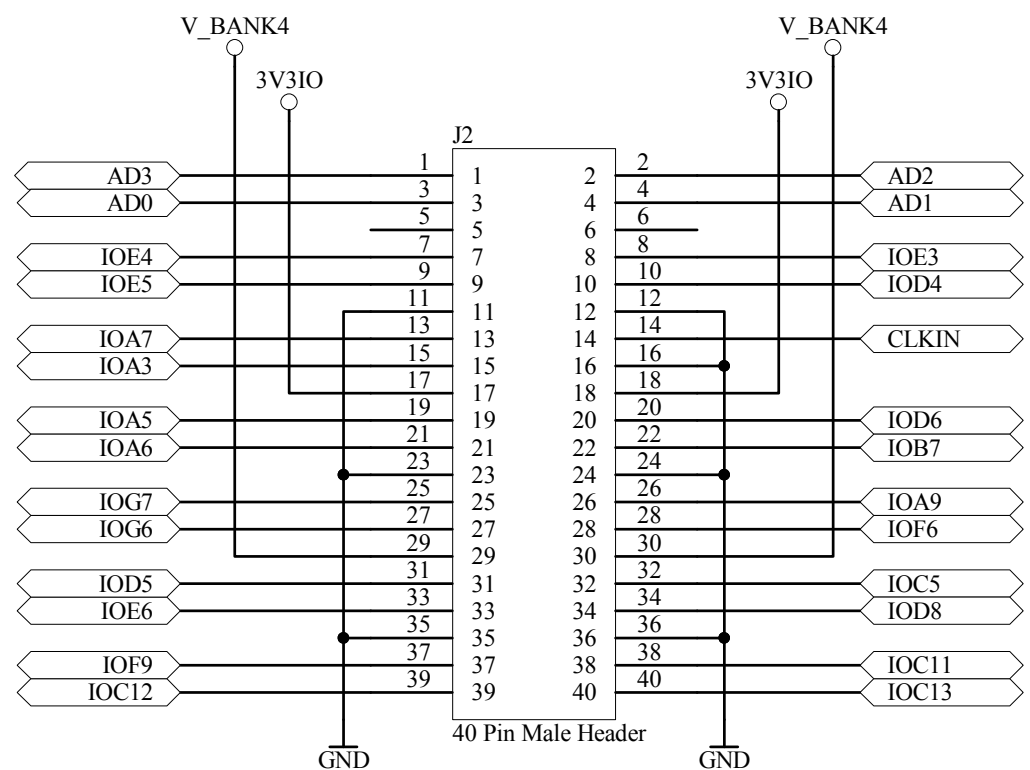
Title Morpich II		Future Technology Devices International Ltd.	
Size: A4		Unit 1, 2 Seaward Place	
Number: HW_108		Centurion Business Park	
Revision: 1.2		Glasgow, G41 1HH, UK	
Date: 11/10/2010	Time: 16:01:46	Sheet 1 of 4	http://www.ftdichip.com
File: Morpich II HiSpeedUSB Rev1-2.SchDoc			



V_Bank4 can operate at voltages ranging from 1.5V to 3.3V.
V_Bank4 IOs can be found at the following header pins

J1-15	J3-3
J1-19	J3-4
J1-20	J3-5
J1-21	J3-6
J1-27	J3-7
J1-31	J3-8
J1-33	J3-9
J1-34	J3-10
J1-38	J3-11
J1-39	J3-12
J1-40	J3-13

Jumper Box		
V BANK4	CLOSED	3V3IO
V BANK4	OPEN	EXT. VIO



Title **Morphic II Connectors**

Future Technology Devices International Ltd.

Size: A4 Number: HW_108 Revision: 1.2
Date: 11/10/2010 Time: 16:01:47 Sheet 3 of 4
File: Morphic II Connector Rev1-2.SchDoc

Unit 1, 2 Seaward Place
Centurion Business Park
Glasgow, G41 1HH, UK
<http://www.ftdichip.com>

